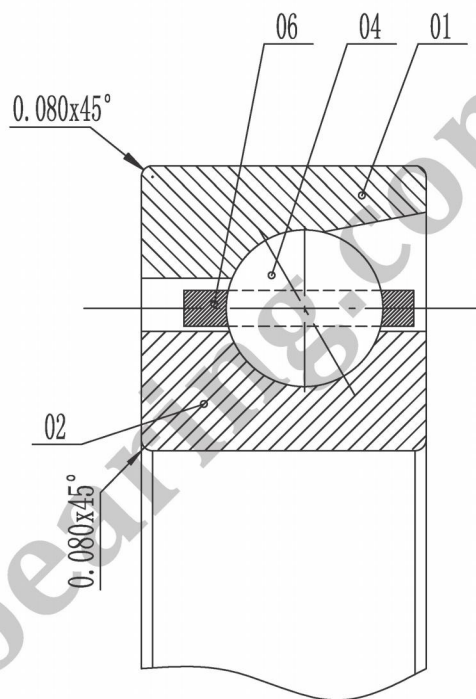


I enlarged view



INA THIN SECTION BEARING

Formal drawing of CSEEG200 will be submitted after contact with:

[sales@jcb-bearing.com](mailto:sales@jcb-bearing.com) or [sales@thinsectionbearings.com](mailto:sales@thinsectionbearings.com)

06	cage		Brass			
04	steel ball		AISI 52100 Steel			
02	inner ring	1	AISI 52100 Steel			
01	outer ring	1	AISI 52100 Steel			
No.	designation	qty	material	unit	total	remark
				weight (lbs)		
Luoyang JCB Bearing Technology Co., Ltd				CSEEG200		
Contact information						
Company Address : No.285 Fenghua road, Luoyang, Henan,China.				weight(lbs)		
Postal code : 471000					15.20	——
Phone : 0086-379-68611678 Fax : 0086-379-68611679						
E-mail: <a href="mailto:sales@jcb-bearing.com">sales@jcb-bearing.com</a>						
Reserved E-mail: <a href="mailto:sales@thinsectionbearings.com">sales@thinsectionbearings.com</a>				total	page 1	page 1
Website: <a href="http://www.jcb-bearing.com">http://www.jcb-bearing.com</a>				Luoyang JCB Bearing Technology Co., Ltd		
<a href="https://www.thinsectionbearings.com">https://www.thinsectionbearings.com</a>						